

METAL JOIST HANGER TOOL

1 1/2" - 2 1/2" Metal Joist Hanger Tool

34° Paper Tape Nails

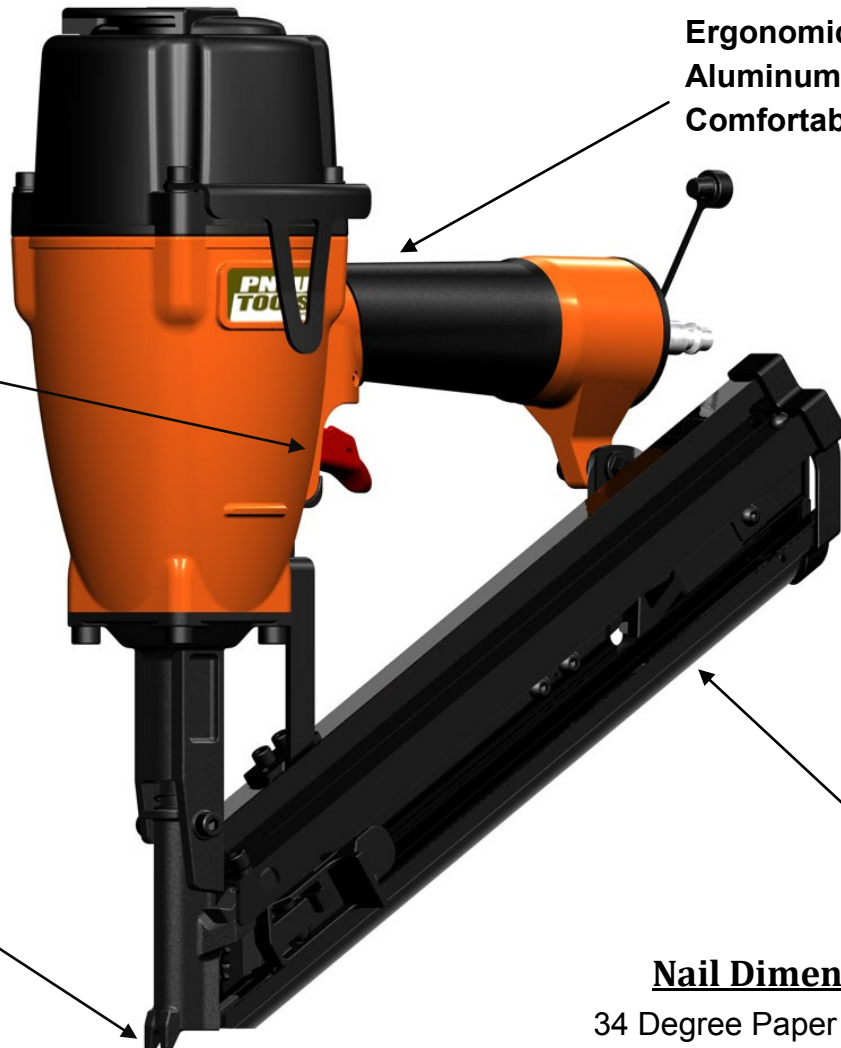
360° Rotational Deflector

Ergonomically Designed Aluminum Housing with Comfortable Rubber Grip

Sequential Fire Trigger

Easy View Nail Point

High Capacity Easy Top Load Magazine



APPLICATIONS:

Joist Hangers, Truss Installation, Fencing, Frame Installation

Nail Dimensions

34 Degree Paper Tape Nails

1 1/2" - 2 1/2" Nails

Nail Shank .131 - .148

Head Diameter .287

Model	Length	Width	Height	Weight	Operating pressure	Fastener Capacity
RNS250	13"	4.7"	14"	5.7 lbs	80-120 psi	30